

# LED Optoelectronics Co., Ltd.

Part no: AD-03622BMR-B

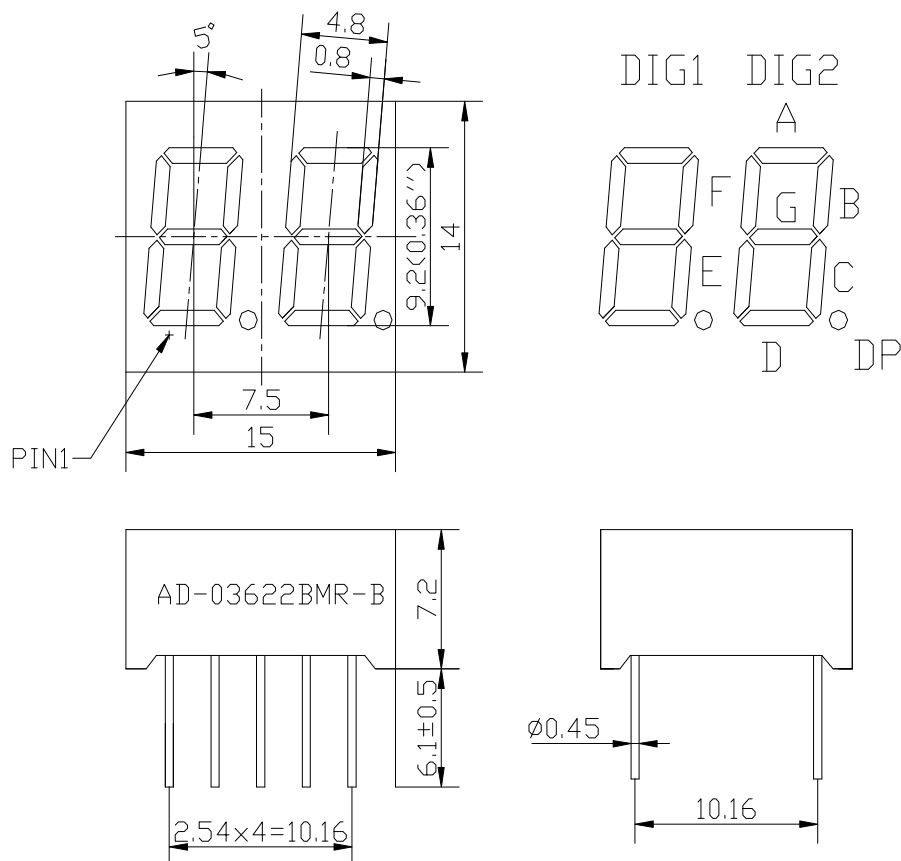
## Features:

- Low power consumption
- High intensity and solid state reliability
- Continuous and uniform segment
- Industrial standard size, IC compatible

## Description:

- Digit height 9.20 mm (0.36 inch), Dual digit seven-segment display
- Emitting color: Red, AlGaInP
- Black face, White diffused epoxy
- Common anode

## Package Dimensions:



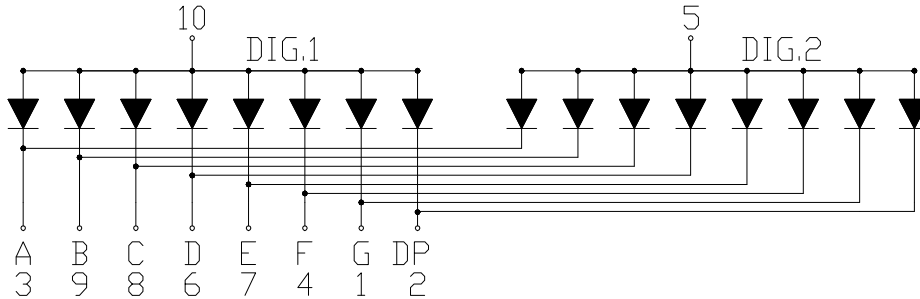
## Notes:

- All dimensions are in millimeters(inches)
- Tolerance is 0.25mm(0.01") unless otherwise noted
- Above specifications may be changed without notice

# LED Optoelectronics Co., Ltd.

Part no: AD-03622BMR-B

## Internal Circuit Diagram:



## Absolute Maximum Ratings At Ta=25°C:

Parameter	Max	Unit
Reverse Voltage	5	V
Forward Current	25	mA
Operating Temperature	-40 to + 85	°C
Storage Temperature	-40 to + 85	°C
Soldering Temperature	260 ± 5 (less than 5 sec.)	°C
Power Consumption	60	mW

## Electrical/Optical Characteristics At Ta=25°C:

Parameter	Symbol	Min.	Typ.	Max.	Unit	Condition
Luminous Intensity Per Segment	I <sub>v</sub>	—	6.0	—	mcd	IF=10mA
Dominant Wavelength	λ <sub>d</sub>	—	635	—	nm	IF=20mA
Spectrum Radiation Bandwidth	Δλ	—	20	—	nm	IF=20mA
Forward Voltage Per Segment	V <sub>f</sub>	—	2.0	—	V	IF=20mA
Reverse Current Per Segment	I <sub>r</sub>	—	—	100	μ A	V <sub>R</sub> =5V

## Wave soldering:

